

Unit -> 1 Diode Circuits

Subject -> Analog Circuits

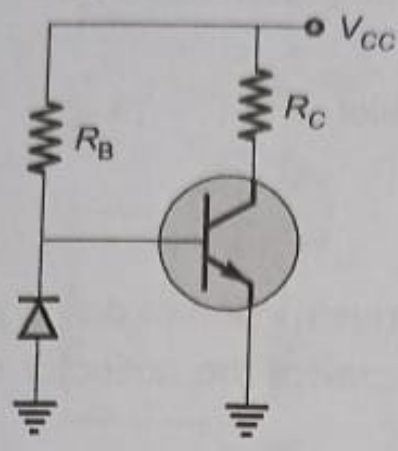
Faculty -> Dr Nidhi chauhan

Paper code -> BT 402

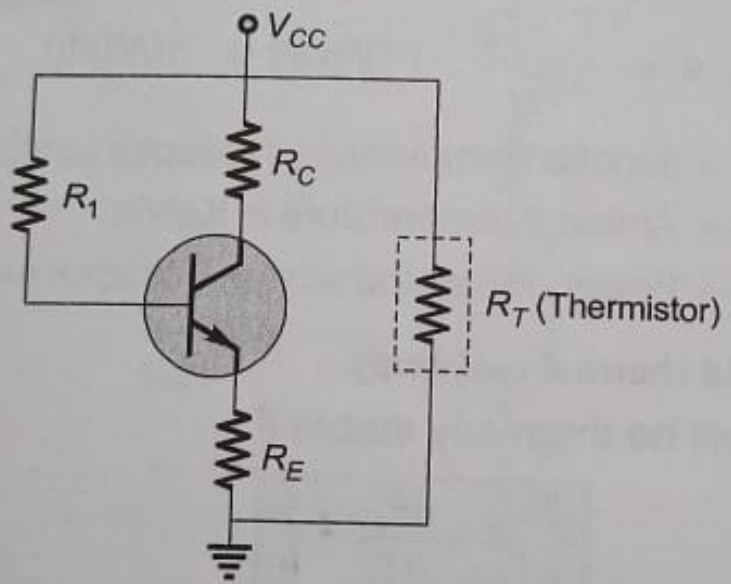
Lecture 6 -> Bias Stabilization

Thermistor	Sensistors
1. Temperature coefficient is negative	1. Temperature coefficient is positive
2. Fabricated from pure semiconductor	2. Fabricated from heavily doped semiconductor

**1. Diode compensation for  $I_{CO}$**



**2. Thermistor compensation for  $I_{CO}$**



**3. Compensation in self bias circuit**

